

# PRODUCT INFORMATION PACKET



Model No: 380

Catalog No: 380

Unit Heater Motor, 1/6 HP, 1 Ph, 60 Hz, 115 V, 1075 RPM, 1 Speed, 42 Frame, TEAO



Regal and Century are trademarks of Regal Rexnord Corporation or one of its affiliated companies.  
©2022 Regal Rexnord Corporation, All Rights Reserved. MC017097E





**Nameplate Specifications**

Output HP	1/6 Hp	Output KW	0.13 kW
Frequency	60 Hz	Voltage	115 V
Current	2.8 A	Speed	1075 rpm
Service Factor	1	Phase	1
Duty	Continuous Air Over	Insulation Class	A
Frame	42	Enclosure	Totally Enclosed Air Over
Thermal Protection	Automatic	Ambient Temperature	40 °C
UL	Recognized	CSA	Y
CE	N	Number of Speeds	1

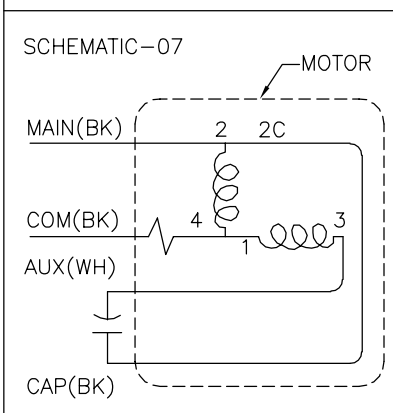
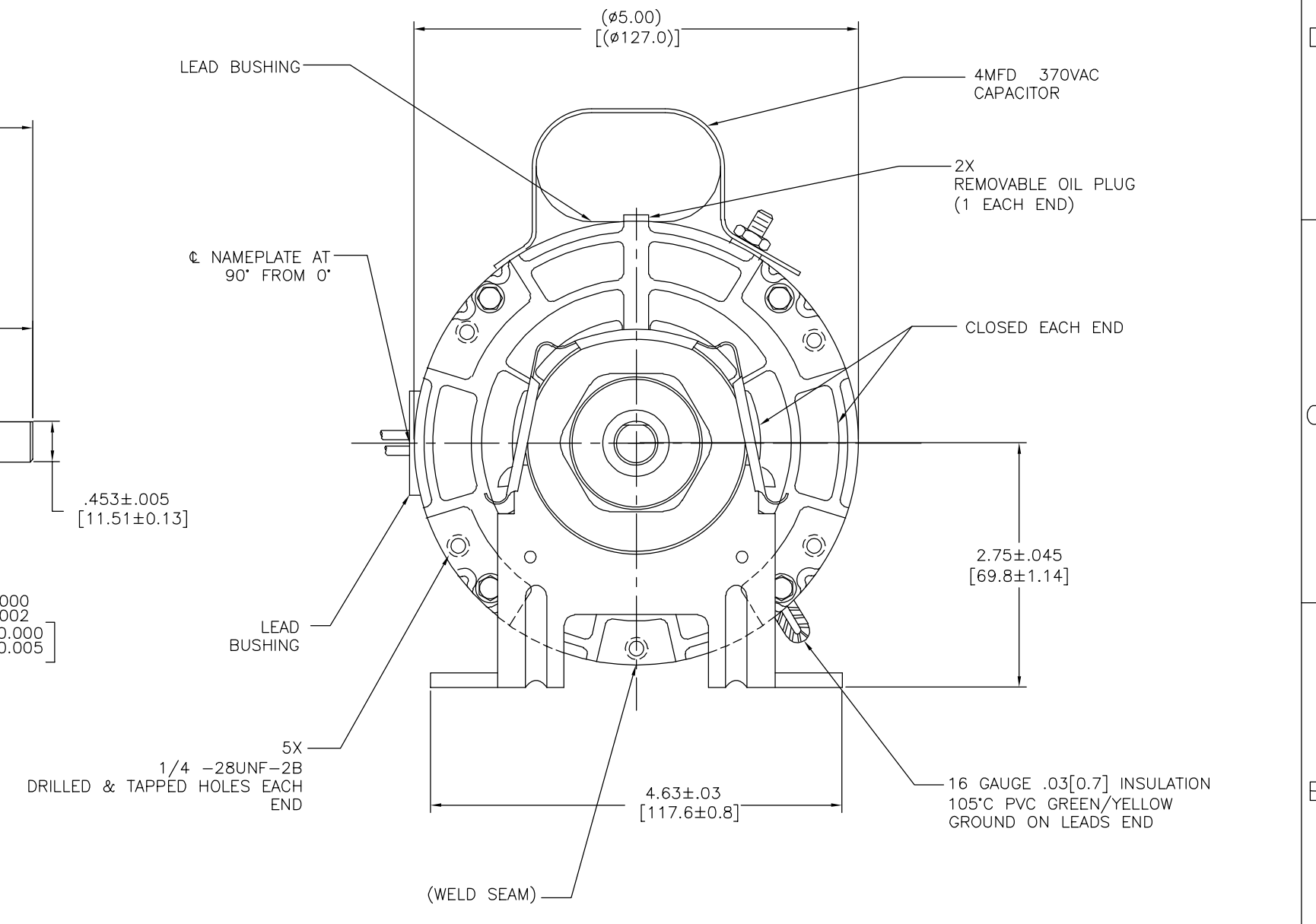
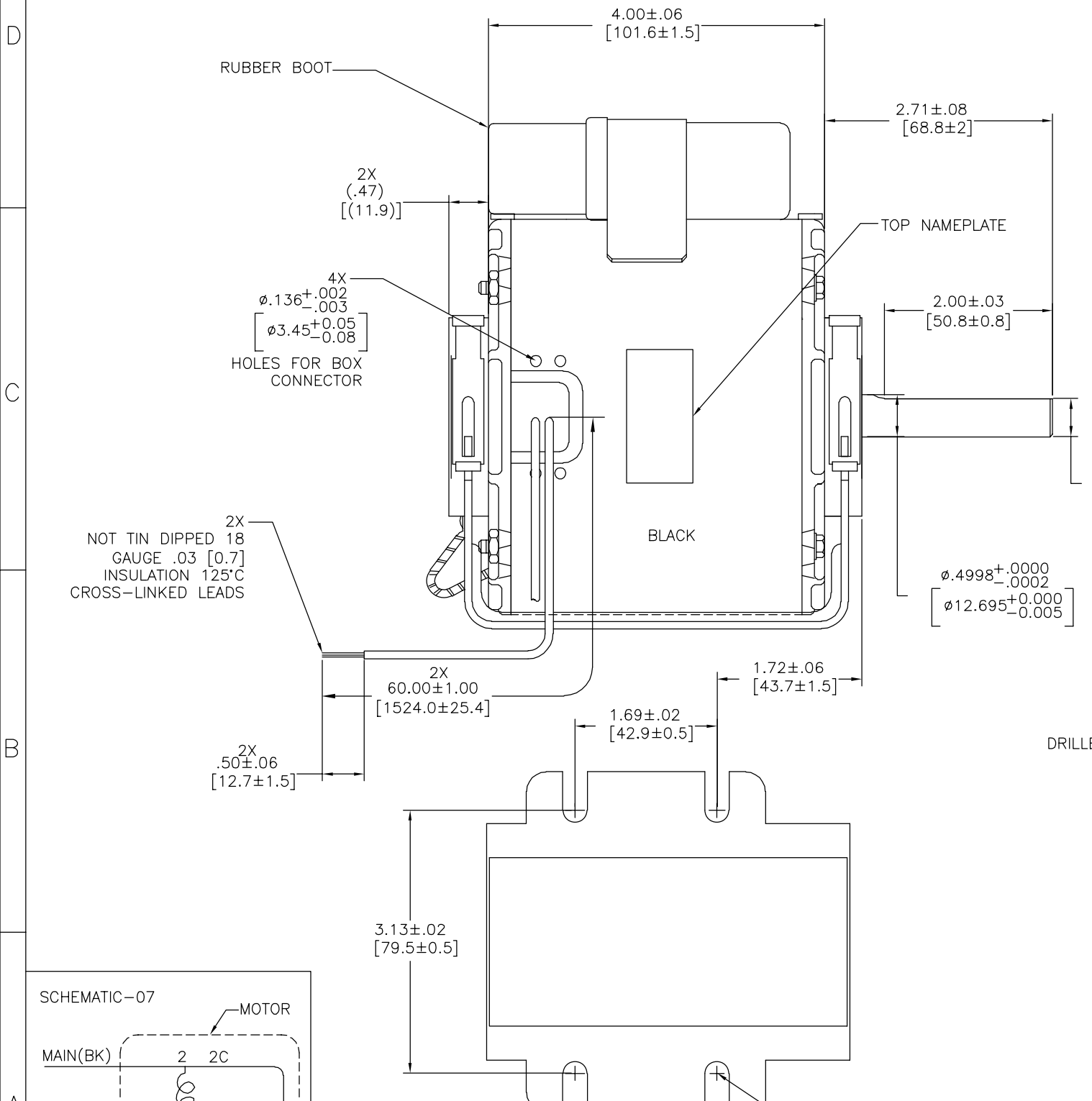
**Technical Specifications**

Electrical Type	Permanent Split Capacitor	Starting Method	Across The Line
Poles	6	Rotation	Clockwise Shaft End
Mounting	Resilient Base	Motor Orientation	Horizontal
Drive End Bearing	Sleeve	Opp Drive End Bearing	Sleeve
Frame Material	Rolled Steel	Shaft Type	Flat
Overall Length	7.18 in	Frame Length	3.42 in
Shaft Diameter	0.500 in	Shaft Extension	2.71 in
Outline Drawing	DE3P7001-S01		

This is an uncontrolled document once printed or downloaded and is subject to change without notice. Date Created:11/29/2022

REV	ECO	REV BY	DATE	APPD	DATE
E	0028996	E.SINECIO	10-16-2012	G.ALVIDREZ	10-16-2012

END PLAY .005[.13] MINIMUM -.040[1.02] MAXIMUM  
 MAXIMUM SHAFT RUN OUT .001[.03] PER INCH  
 MAXIMUM SHAFT RUN OUT NOT TO EXCEED .010[.25]



SHIP SEPARATE:  
72T176A-16  
BAG ASSEMBLY

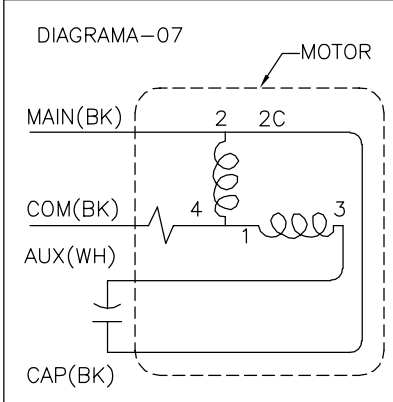
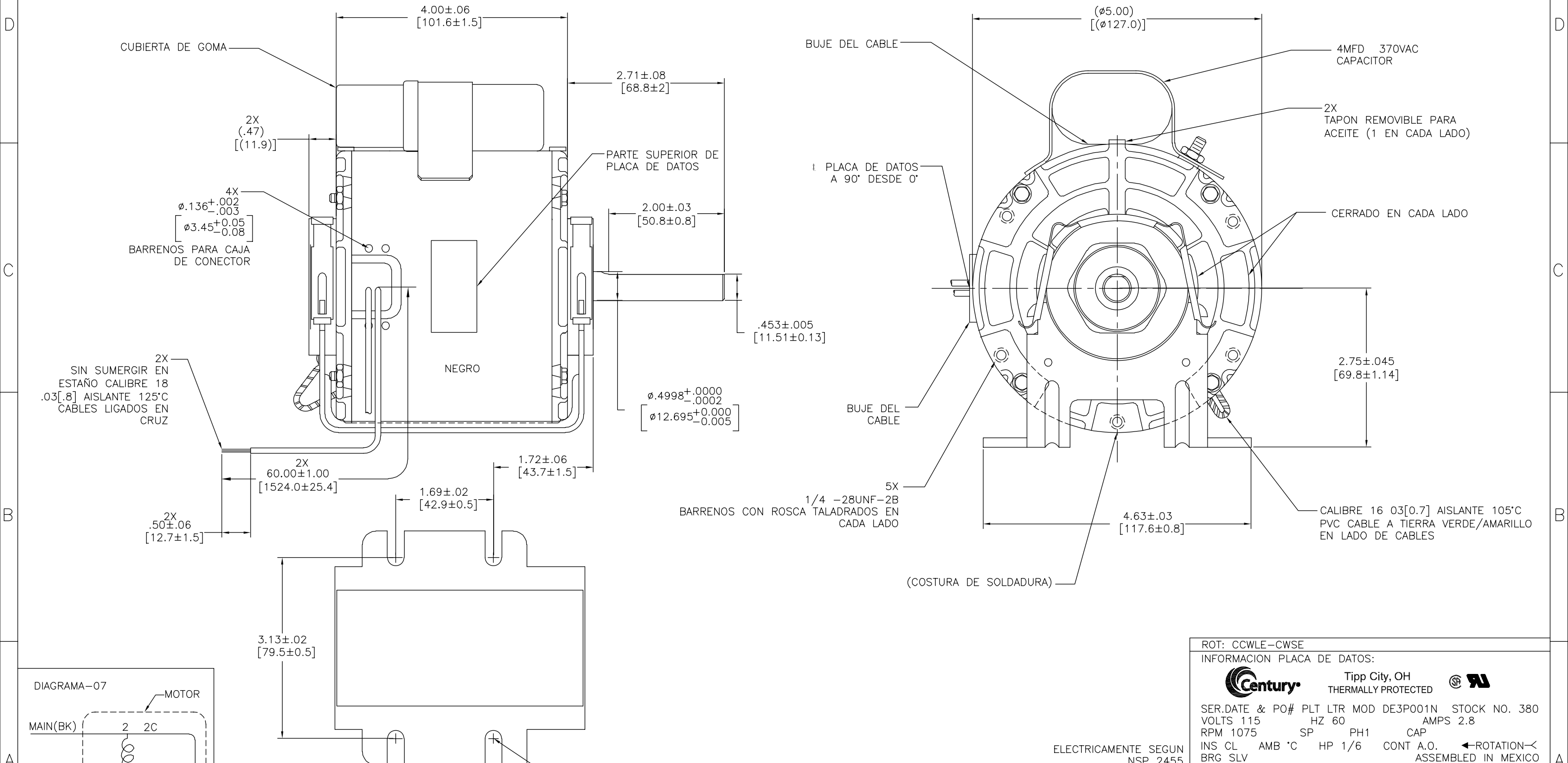
4X  $\begin{matrix} .28^{+.02} \\ .00^{-.00} \end{matrix}$  x  $\begin{matrix} .89^{+.02} \\ .00^{-.00} \end{matrix}$   
 ELONGATED MOUNTING SLOTS

GEOMETRIC CHARACTERISTICS & SYMBOLS ▽ FLATNESS - STRAIGHTNESS ⊥ ANGULARITY ⊥ PERPENDICULARITY (SQUARENESS) // PARALLELISM ○ ROUNDNESS (CIRCULARITY) ⌀ CYLINDRICITY △ PROFILE OF ANY SURFACE ⌒ PROFILE OF ANY LINE ⌒ RUNOUT ⊕ TRUE POSITION ⊙ CONCENTRICITY = SYMMETRY	UNLESS OTHERWISE SPECIFIED DIM. TOLERANCES ARE AS FOLLOWS: INCH X XX XXX XXXX mm ±0.5 ±0.13 ±0.013 ANG. ±.50 DEG REMOVE BURRS & BREAK SHARP EDGES: INCH .003-.015 mm 0.1-0.4 CORNER FILLETS TO: INCH .020 mm 0.5 MACHINE SURFACES: INCH 125 mm 3.2	DR BY: TLB	02-05-2001	DESCRIPTION MODEL-RFHP-42FR OUTLINE
		APPD: DTS	EDS DATE 11-11-2011 FORMAT REV H	
ELECTRICALLY PER NSP 2455		CONFIDENTIAL: THIS DRAWING AND ITS INFORMATION ARE THE EXCLUSIVE AND CONFIDENTIAL PROPERTY OF REGAL-BELOIT CORPORATION AND ARE NOT TO BE DISCLOSED, DUPLICATED, DISTRIBUTED OR OTHERWISE USED WITHOUT THE WRITTEN CONSENT OF REGAL-BELOIT CORPORATION. -ALL RIGHTS RESERVED.		SCALE NONE
ASME Y14.5M 1994 METRIC DIMS. SHOWN IN [BRACKETS]		ROT: CCWLE-CWSE NAMEPLATE DATA: Century Tipp City, OH THERMALLY PROTECTED SER.DATE & PO# PLT LTR MOD DE3P001N STOCK NO. 380 VOLTS 115 HZ 60 AMPS 2.8 RPM 1075 SP PH1 CAP INS CL AMB °C HP 1/6 CONT A.O. ←ROTATION← ASSEMBLED IN MEXICO BRG SLV		SHEET 1

REVISION:	ECO	REVISADO POR:	E.SINECIO	FECHA:	10-16-2012	APROBADO POR:	G.ALVIDREZ	FECHA:	10-16-2012
E	0028996								

JUEGO AXIAL .005[.13] MINIMO - .040[1.02]MAXIMO  
 MAXIMO OSCILAMIENTO DE FLECHA .001[.03]POR PULGADA  
 MAXIMO OSCILAMIENTO DE FLECHA NO EXCEDERA .010[.25]

EL CLIENTE ES SOLO RESPONSABLE DEL DESARROLLO DEL MOTOR  
 Y EL DESEMPEÑO EN APLICACIONES Y USOS DEL CLIENTE.

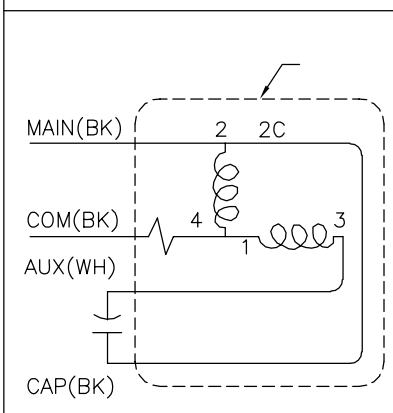
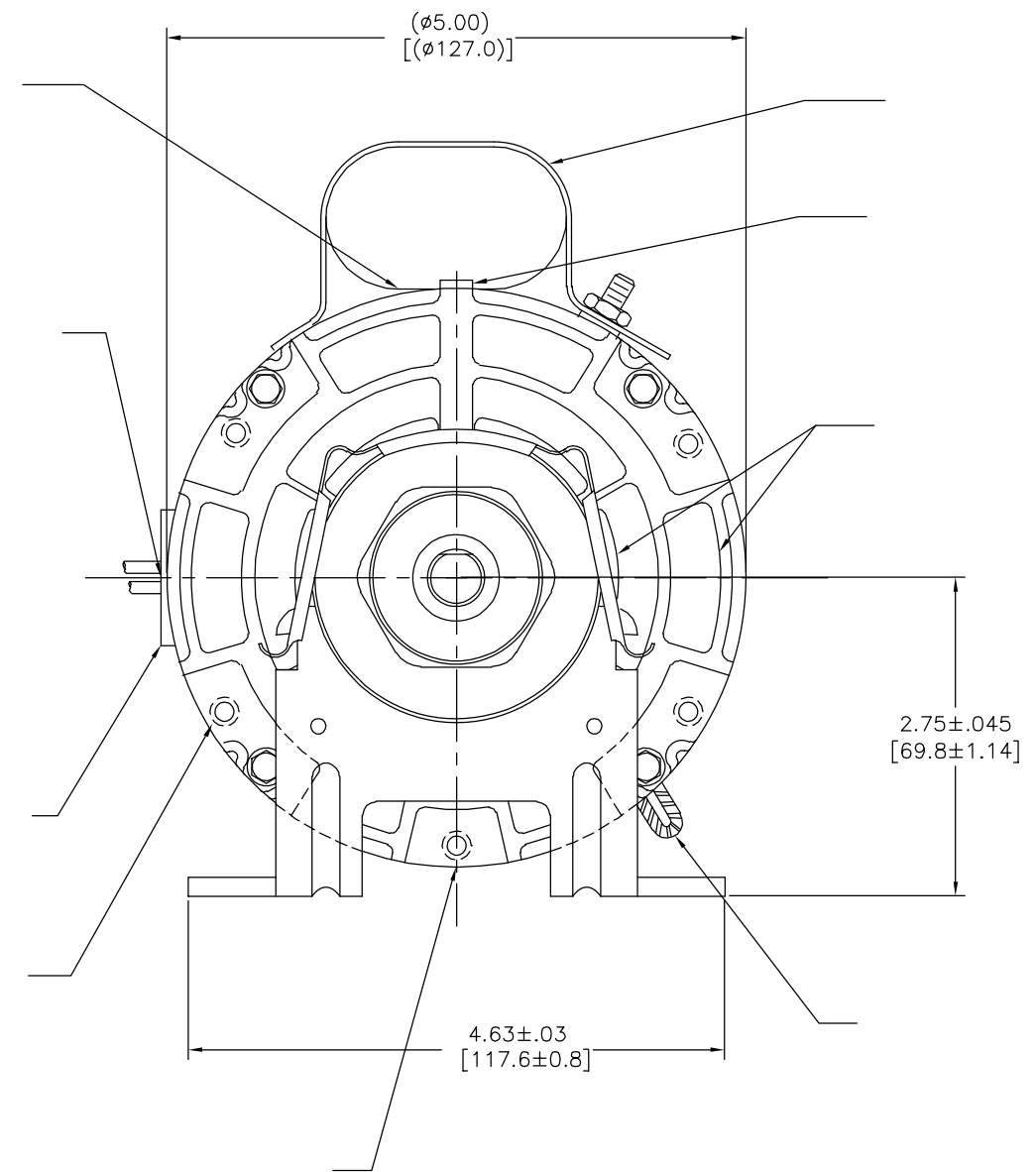
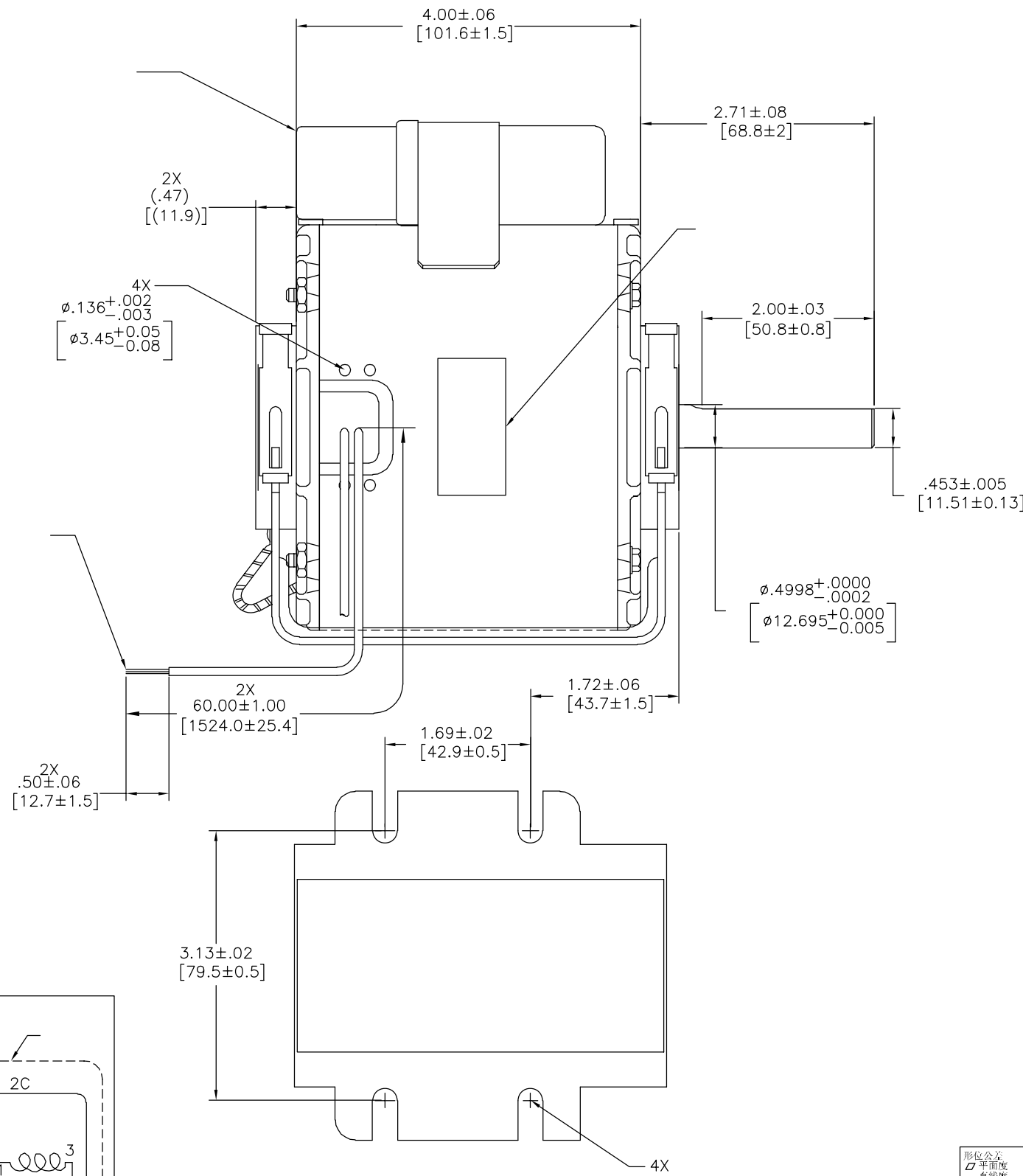


ENVIO POR SEPARADO:  
 72T176A-16  
 ENSAMBLE DE BOLSA

BERRENOS DE MONTAJE ALARGADOS

<p>CARACTERISTICAS DE GEOMETRIA Y SIMBOLOS:</p> <ul style="list-style-type: none"> <li>— PLANICIDAD</li> <li>- RECTITUD</li> <li>∠ ANGULARIDAD</li> <li>⊥ PERPENDICULARIDAD (A ESCUADRA)</li> <li>// PARALELISMO</li> <li>○ REDONDEZ (CIRCULARIDAD)</li> <li>⊘ CILINDRICIDAD</li> <li>⊂ PERFIL DE CUALQUIER SUPERFICIE</li> <li>⌒ PERFIL DE CUALQUIER LINEA</li> <li>∧ VARIACION</li> <li>⊕ POSICION REAL</li> <li>⊙ CONCENTRICIDAD</li> <li>= SIMETRIA</li> </ul>	<p>A MENOS QUE SE ESPECIFIQUE DE OTRA MANERA, LAS TOLERANCIAS DE LAS DIMS, SON LAS SIGUIENTES:</p> <p>PULG ±.1 ±.02 ±.005 ±.0005          mm ±0.5 ±0.13 ±0.013</p> <p>ANG ±.50 GRADOS          ELIMINAR REBABAS Y ORILLAS FILOSAS DEL BORDE.</p> <p>PULG .003-.015 mm 0.1-0.4          FILETEAR ESQUINA: PULG .020 mm 0.5          MAQUINAR SUPERFICIES          PULG 125 mm 3.2</p> <p>DIMS METRICAS MOSTRADAS [PARENTESIS]</p>	<p>DIBUJADO POR: TLB</p> <p>APROBADO POR: DTS</p> <p>TERCER ANGULO DE PROYECCION</p> <p>CONFIDENCIAL: ESTE DIBUJO Y SU INFORMACION SON PROPIEDAD DE USO EXCLUSIVO Y CONFIDENCIAL DE REGAL-BELOIT CORPORATION, Y NO DEBERAN SER REVELADOS, DUPLICADOS, DISTRIBUIDOS O USARSE DE OTRA MANERA SIN EL CONSENTIMIENTO ESCRITO DE REGAL-BELOIT CORPORATION. -TODOS LOS DERECHOS RESERVADOS.</p>	<p>ROT: CCWLE-CWSE</p> <p>INFORMACION PLACA DE DATOS:</p> <p><b>Century</b> Tipp City, OH THERMALLY PROTECTED</p> <p>SER.DATE &amp; PO# PLT LTR MOD DE3P001N STOCK NO. 380          VOLTS 115 HZ 60 AMPS 2.8          RPM 1075 SP PH1 CAP          INS CL AMB °C HP 1/6 CONT A.O. ←ROTATION← ASSEMBLED IN MEXICO</p> <p>ELECTRICAMENTE SEGUN NSP 2455</p> <p>02-05-2001</p> <p>FECHA EDS: 11-11-2011          REV. FORMATO: H</p> <p>DESCRIPCION: MODEL-RFHP-42FR OUTLINE</p> <p>TAMAÑO: D NUMERO DE DIBUJO: DE3P7001</p> <p>ESCALA: NONE HOJA: 1</p>
--	--	---	---

版本	ECO	编制	日期	批准	日期
E	0028996	E.SINECIO	10-16-2012	GALVIREZ	10-16-2012



ROT: CCWLE-CWSE

**Century** Tipp City, OH THERMALLY PROTECTED

SER.DATE & PO# PLT LTR MOD DE3P001N STOCK NO. 380  
 VOLTS 115 HZ 60 AMPS 2.8  
 RPM 1075 SP PH1 CAP  
 INS CL AMB °C HP 1/6 CONT A.O. ←ROTATION←  
 BRG SLV ASSEMBLED IN MEXICO

REGAL-BELOIT CORPORATION  
 MODEL-RFHP-42FR  
 OUTLINE

图号 DE3P7001

形位公差	除另有注明 尺寸公差如下:	绘图:	TLB	02-05-2001
□ 平面度	英寸 ±.1 ±.02 ±.005 ±.0005	批准:	DTS	
— 直线度	毫米 ±0.5 ±0.13 ±0.013	第三角投影		
∠ 倾斜度	角度 ±.50 度			
⊥ 垂直度	清理毛刺和尖棱			
∥ 平行度	英寸 .003-.015 毫米 0.1-0.4			
⊙ 圆度	内圆角			
⊘ 圆柱度	英寸 .020 毫米 0.5			
⊖ 面轮廓度	表面粗糙度			
⌒ 轮廓度	英制 125 米制 3.2			
⊕ 圆跳动	ASME Y14.5M 1994			
⊖ 位置度	米制尺寸显示在 [ ]			
⊙ 同轴度				
⊖ 对称度				